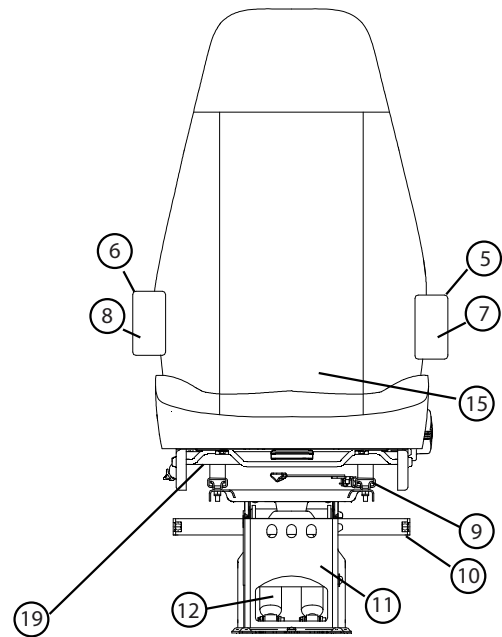
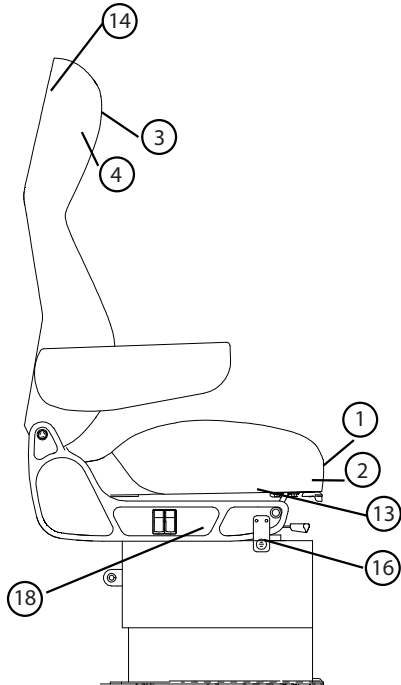


## Seat Assembly 51118.XXXX

# ROUTEMASTER

## REPLACEMENT PARTS LIST



Replacement Part Description	Gray Mordura	Black Mordura	Brown Mordura
1. Upholstered Cushion Kit	24695900R	24696900R	24696300R
2. Cushion Cover Kit	232469-59	232469-69	232469-63
3. Upholstered Back Cushion Kit	30180100Q0	30180900Q0	30180500Q0
4. Back Cover Kit	233018-01	233018-09	233018-05
5. Upholstered Armrest Kit Left Hand	235230-131	235230-39	235230-43
6. Upholstered Armrest Kit Right Hand	235230-132	235230-40	235230-44
7. Armrest Cover Kit Left Hand	235065-131	235065-39	235065-43
8. Armrest Cover Kit Right Hand	235065-132	235065-40	235065-44
9. Slidetrack Assembly Kit	P2138-7	P2138-7	P2138-7
10. Seat Belt Bar	230034-15	230034-15	230034-15
11. 95 Air Suspension Assembly Kit	230576-19	230576-19	230576-19
12. Shock Assembly Kit	SK-582-2	SK-582-2	SK-582-2
13. Lower Frame Assembly	328638-07	328638-07	328638-07
14. Back Frame Assembly	236190-23	236190-23	236190-23
15. Air Lumbar Assembly Kit	229798-01	229798-01	229798-01
16. Heater Kit	SK-1485-03	SK-1485-03	SK-1485-03
17. Rocker Valve Kit	230914-01	230914-01	230914-01
18. Air Line Manifold	230766-03	230766-03	230766-03